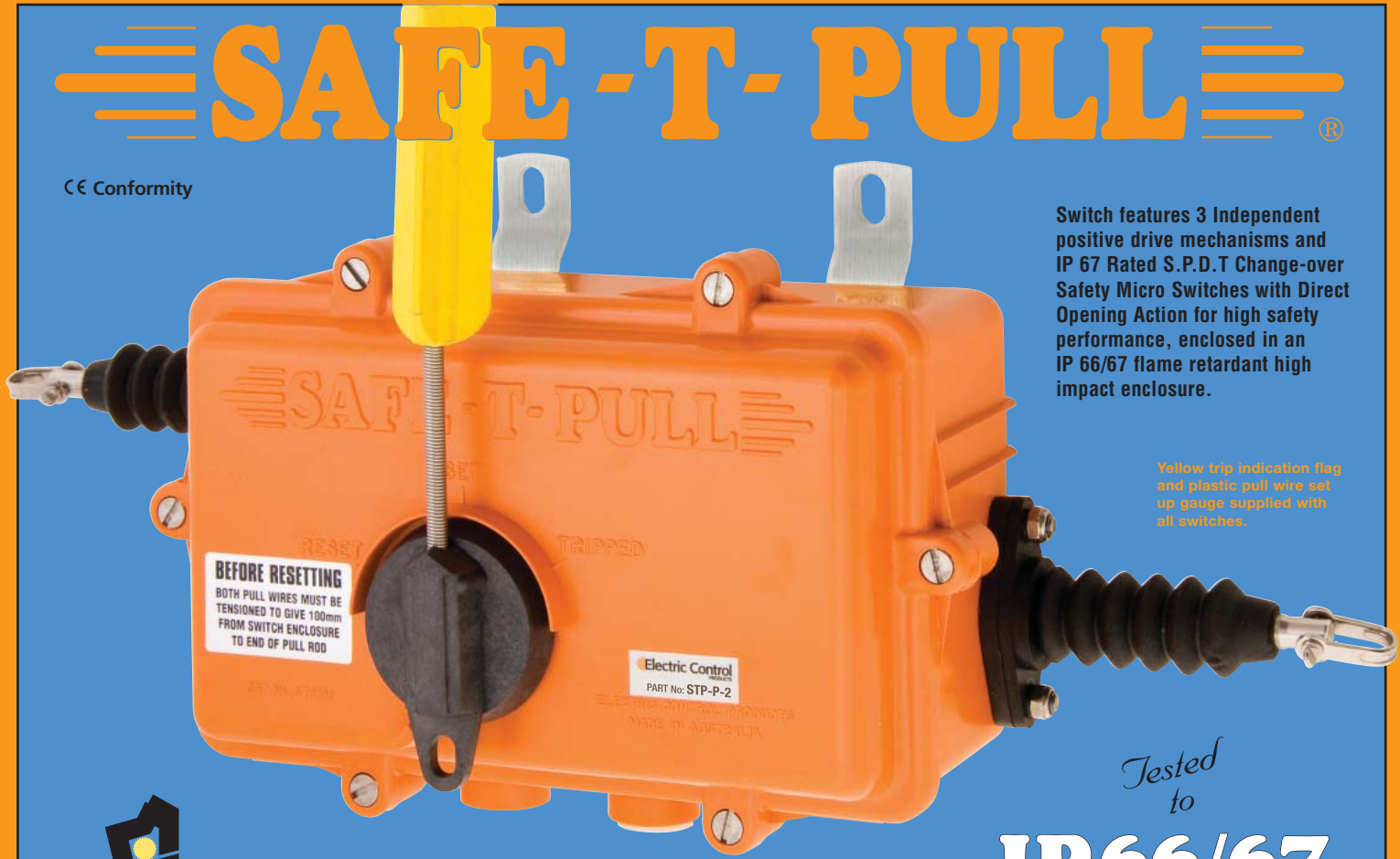


SAFE-T-PULL®

CE Conformity



Switch features 3 Independent positive drive mechanisms and IP 67 Rated S.P.D.T Change-over Safety Micro Switches with Direct Opening Action for high safety performance, enclosed in an IP 66/67 flame retardant high impact enclosure.

Yellow trip indication flag and plastic pull wire set up gauge supplied with all switches.

Tested to

IP66/67



Made in Western Australia

The **SAFE-T-PULL** Pull Wire Switch has been tested to the requirements of IEC 60947-5-5 and AS4024.

Tripping occurs under the following conditions:-

- (a) One or both trip wires are removed or cut/broken
- (b) One or both trip wires are overtensioned
- (c) One or both trip wires are activated
- (d) Manual trip via reset knob.

The switch cannot be reset unless both trip wires are attached and correctly tensioned, Manual reset via the external reset knob is required after a trip has occurred.

FEATURES

- Tamper Proof Switch Plate Mechanism.
- Every Switch is individually, electrically and mechanically tested with Test Certificates available.
- Absolute simplicity in initial setup and adjustment. All Set Point adjustments are done from the outside of the enclosure.
- UV stable high impact robust non-metallic enclosure.
- Simple design ensures low maintenance.
- Stainless steel internal compression type springs.
- Electro polished 316 stainless steel pull rods and mounting feet.
- Pull rods have spring loaded external dust protecting boots so the pull rod is always covered for extra seal protection and pull rods are not exposed to contaminants.
- Double lip oil seals on pull rods and reset operator for secure dust and weather protection to IP 66 / 67.
- Non-metallic pull rod bushings so no electrolysis issues between the safety mechanism (pull rod) and bushing. Increasing functional safety.
- Independent positive drive pull rod cams, switch plate mechanism and lid drive cam for 3 fail safe trip mechanisms to ensure the switch will trip and fail to safe.
- Complies to

IEC 60947-5-1 Ed 3.1	AS/NZS 60947-5-1:2015	IEC 60947-5-5 Ed 1.1
AS/NZS 60947.5.5:2015	AS/NZS 4024.1-2014	AS/NZS 4024.3610:2015
AS/NZS 4024.3611:2015		
- Internal switch connections are fully shrouded for added safety during inspection.
- IP 67 S.P.D.T Change-over Safety Micro Switches with Direct Opening Action (IEC 60947-5-1 Annex K) in contact element form C tested and passed too IEC 60947-5-1.
- Cam design compensates for pull wire expansion/contraction up to 30mm either side of the set point. Eliminates nuisance tripping due to vibration.
- Pull forces to actuate trip @ 60Nm (6Kg) 90° to pull wire axis and 90Nm (9Kg) along pull wire axis.
- Cam position signal sensing before tripping.

PULL WIRE SWITCH

SAFE-T-PULL

VARIATIONS

- Max 4 IP 67 S.P.D.T Change-over Safety Micro Switches with Direct Opening Action in contact element form C,
- External signal flag (Note: Comes with Switch),
- External light,
- Single sided operation, right hand or left hand,
- Two x M20 stainless steel armoured cable glands.

REMOTE END

- Matched stainless steel compensation springs for remote end attachment. P/N STP-E60.

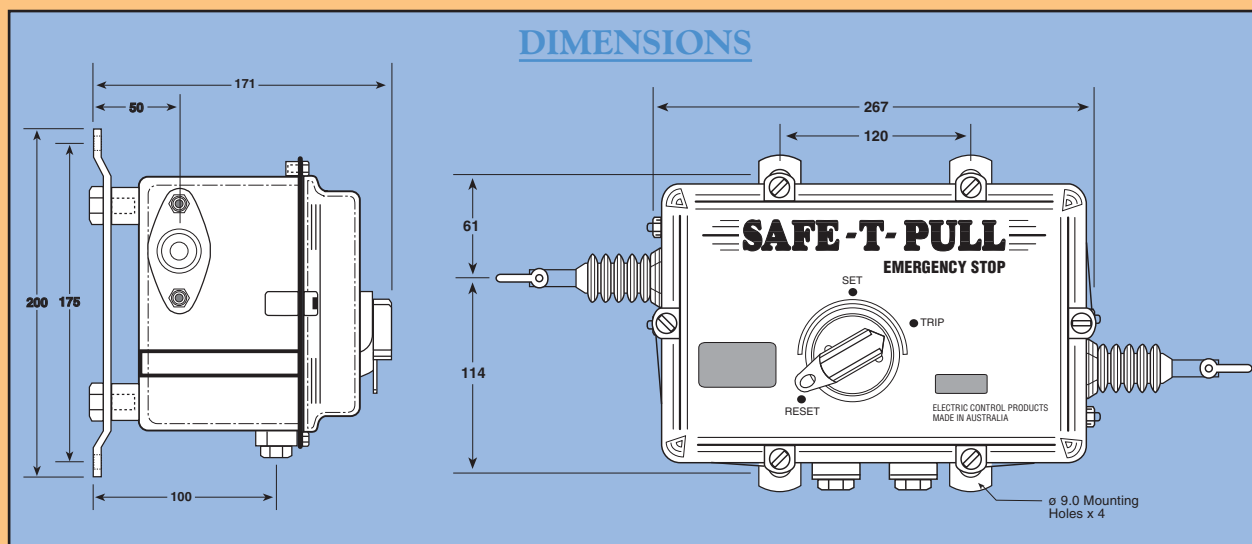
To comply with safety critical functions AS/NZS 4024.3610 -2015 section 2.10.5 Emergency Stop. A matched compensation spring must be fitted to the remote end of the Pull Wire to allow tripping in both directions.

INSTALLATION

One centrally mounted switch for every 200m of pull wire. Consult STP-P Safety, Installation, Design and Setting Instruction sheet for recommendations.

SWITCH SETTINGS

Switch setting is via a turnbuckle from the outside of the switch. No internal access needed to adjust to set point.



ORDERING DETAILS

Standard Switch with 316 Stainless Steel mounting feet and 2 IP 67 rated S.P.D.T Safety Micro with Direct Opening Action.....STP-P-2

Standard Switch with 316 Stainless Steel mounting feet and 4 IP 67 rated S.P.D.T Safety Micro Switches with Direct Opening Action.....STP-P-4

Add to above Cat No. for variations:

External strobe light -S number

- S2 = Red Strobe for 10 – 100V DC 20 – 72V AC Current Use 130-37mA @ Flash Rate = 75fpm
- S3 = Red Strobe for 90 -125V AC Current Use 30mA @ Flash Rate = 60fpm
- S4 = Red Strobe for 207 – 253V AC Current Use 15mA @ Flash Rate = 60fpm
- S6 = Amber Strobe for 10 – 100V DC 20 – 72V AC Current Use 130-37mA @ Flash Rate = 75fpm
- S7 = Amber Strobe for 90 -125V AC Current Use 30mA @ Flash Rate = 60fpm
- S8 = Amber Strobe for 207 – 253V AC Current Use 15mA @ Flash Rate = 60fpm

Left hand operation only..... -LH

Right hand operation only..... -RH

Two x M20 stainless steel armoured cable glands..... -ACGS

Matched SS Compensation Spring..... STP-E60

ENCLOSURE SPECIFICATIONS

- High Impact PBT/PC - Non Corrosive Material.
- U.V Stabilised. (See Plastic Specs Sheet)
- Flame retarded ASTM.UL94.V-0 (1.6mm)
- Resists splash and spillage of most hydrocarbon solvents, mild acids and strong alkali. (See Plastic Specs Sheet)

ENCLOSURE SPECIFICATIONS

IP 67 Safety Micro Switch with Direct Opening Action Specifications

IEC 60947-5-1 Annex K classification	<input type="checkbox"/> Type 1	<input checked="" type="checkbox"/> Type 2 Direct Opening
Change-over contact element	<input checked="" type="checkbox"/> C	<input type="checkbox"/> Za <input type="checkbox"/> Zb
Contact material	Ag-Ni	
Utilization category	AC-15	DC-13
Operational voltage	230 V	60 V
Operational current	1.5 A	0.5 A
Frequency	50/60 Hz	
Number of electrical cycles	6050 (6 min-1)	
Number of mechanical cycles	6050 (6 min-1)	
Conventional free air thermal current	10 A	
Conventional enclosed thermal current	—	
Operating Temperature	-35° C No Icing	+80° C

Specifications (short-circuit with standability)

Rated conditional short-circuit current	3 00 A	1 000 A
Short circuit protective device	Fuse 6 A gG (IEC 60269-2)	Fuse 6 A gR (IEC 60269-4)

Manufactured in Australia by:

Electric Control
PRODUCTS

18 Tambrey Way, Malaga
Western Australia 6090

Telephone: (08) 9247 6700

Facsimile: (08) 9248 6292

www.safe-t-products.com.au

Sold by:

PUB. No. STP-P DEL. CB001.09/19

PULL WIRE SWITCH